

US-6100

Technical Bulletin

BELL-MARK

Imprinting System for Flexible Packaging Film, Labels and Cartons

Features a 1.25" Vertical Reach Design. The Bell-Mark Corporation announces the US-6100 Reciprocal Coder--featuring a 1.25" vertical stroke. This unique feature allows the printer to satisfy hard to reach coding applications on concave surfaces, recessed containers and product coding requirements. The extended stroke also allows for coding stacked labels, wicketed bags, and blister card or chipboard boxes.



Ideal for:

**Price / Date Codes
Exp. Dates / Lot. #'s
Shift Codes
Production Dates**

When the printer detects the substrate, coding is automatic, allowing the unit to code on stackable applications from .25" to 1.25" in depth. The US-6100 uses Bell-Mark's pre-inked disposable cartridges, with print areas available from 1.25" to 2" square. The US-6100 can be used on all intermittent packaging machines or product coding applications.

Ideally suited to imprint price and date codes, lot numbers and expiration dates on absorbent and non absorbent surfaces, at speeds up to 150 prints per minute. The US-6100 is air operated and does not require heat.

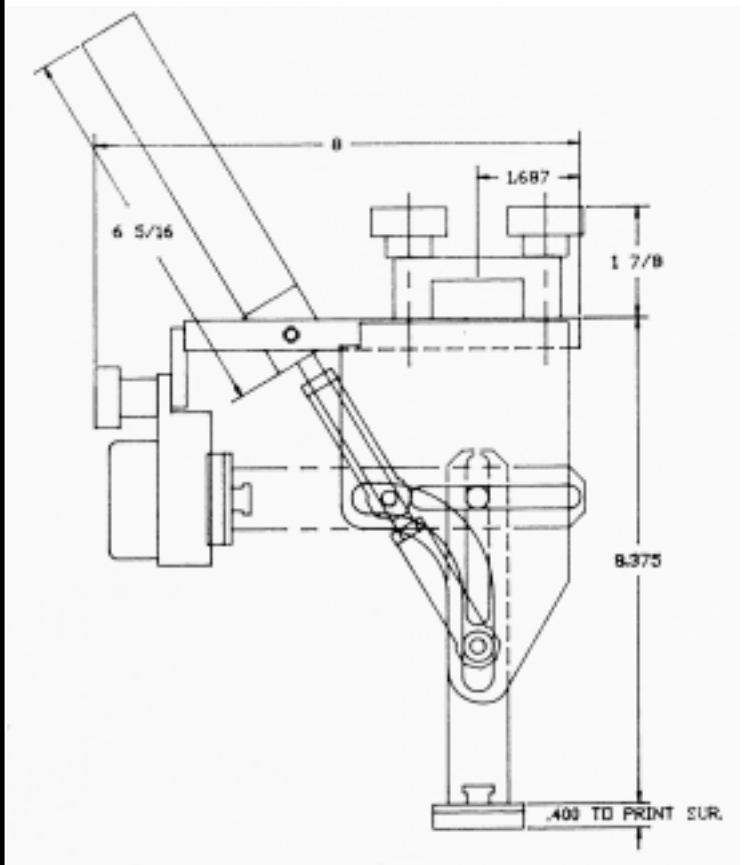
BELL-MARK

331 Changebridge Road • Pine Brook, NJ 07058

<P> (973) 882-0202 <F> (973) 808-4616 <E> info@bell-mark.com

Specifications

Print Area:	1.50" x 1.50" (38.1mm x 38.1mm) 2" x 2" (50.8mm x 50.8mm)
Printing Element:	Rubber type logos
Printing Medium:	Bell-Mark disposable ink cartridge
Drive:	Double acting air cylinder
Control:	Solid state AC one shot timer & direct solenoid
Signaling:	Micro, prox switch, electric eye or customer "Hot Signal" to auxiliary relay
Electrical:	115 V/50 - 60HZ / 1Ph 1 amp fuse
Air:	20-30 PSI non-lube systems (approx. 0.016 scfm. cycle)
Mounting:	Printer mounted on custom bracket
Dimensions:	See Drawing
Weight:	2 lbs. (0.90 kg)
Cycle rate:	Up to 80 cycles/min. (depends on package length & line speed)
Web speed:	Intermittent



Supplies/Accessories

Rubber Type Systems:
Bell-Mark offers a complete range of rubber type accessories for the US-6100 including: date sheets, price logos, lot numbers and custom made logos for special applications.

Bell-Mark's high quality ribbed logos insure consistent printing.

Ink Cartridges

Self-contained **and** disposable
Consistent high quality impressions
Speedy reloading - no downtime
Prints on both absorbent and non-absorbent surfaces - dries in seconds
Lasts up to **5** eight hour shifts
Cartridge adaptable to all competitive ink coders

